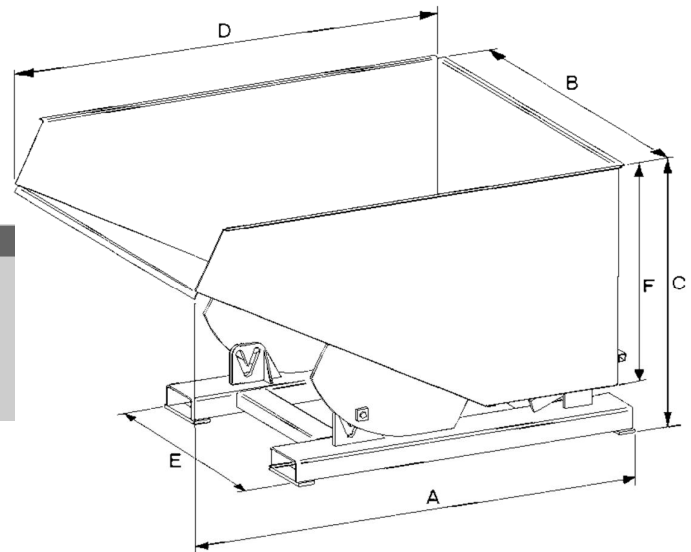


## Auto Tipping Skip (RFS-AU)

CONTACT Roll Forward Skips come with the benefits of having a full length release handle accessible from either side; this eliminates the need to lean dangerously over the skip to activate it. This also means the skip can be tipped if positioned alongside a wall. The AU skip comes as standard with a release bar on the underside, to allow the handle to be operated automatically without leaving the truck cab, simply by lowering the skip onto the edge of the container you are emptying the load into, the handle will operate and the skip will roll forward.

Our best selling tipping skip. This skip can be used for a wide variety of applications and therefore makes it a popular choice for waste handling. Designed to be placed in production areas, Roll Forward skips keep working areas clear and allow safe and speedy removal of scrap or rubbish to the appropriate waste receptacle. All CONTACT skips have unique twin locks and simple to operate release mechanism, all skips also come with a retaining security chain for fastening to the truck.

Model Ref:	Weight	C of G (Min)	C of G (Max)	Load Centre
RFS 25L-AU	119	818	595	573
RFS 40L-AU	133	899	679	679
RFS 80L-AU	173	1042	735	735
RFS 120L-AU	206	1145	835	835
RFS 160L-AU	228	1178	835	835



Max Fork Size 150 x 65mm

Model Ref:	Volume	Capacity	A (mm)	B (mm)	C (mm)	D (mm)	E (mm)	F (mm)
RFS 25L-AU	0.25M <sup>3</sup>	1000KG	1148	794	678	1025	890	547
RFS 40L-AU	0.40M <sup>3</sup>	1000KG	1410	794	781	1197	890	547
RFS 80L-AU	0.80M <sup>3</sup>	1000KG	1710	900	985	1540	890	750
RFS 120L-AU	1.2M <sup>3</sup>	1250KG	1710	1300	985	1540	890	750
RFS 160L-AU	1.6M <sup>3</sup>	1500KG	1710	1700	985	1540	890	750