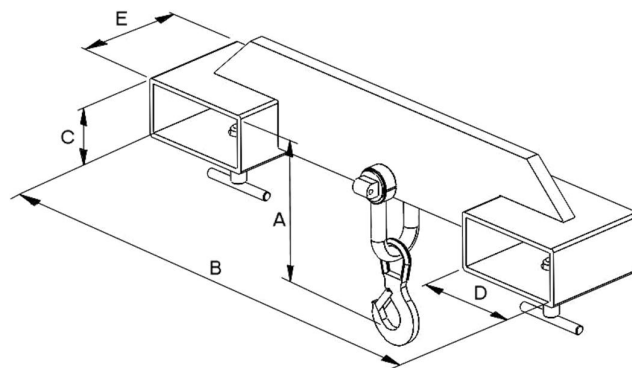


Adjustable Fork Mounted Hook (FMHA)

Adjustable hooks offer a low cost solution to your load handling needs. The attachment fits quickly and easily to the fork truck to enable loads to be hung under the forks at any point along their length. Simply slide the attachment onto the forks and slide along until the desired load centre is achieved. Then simply screw the fork clamps tight. Ensure the attachment is secure before attempting lifting.



Adjustable Fork Mounted Hooks are the most cost effective way of safely hanging a load under the forks of your lift truck. Simply clamps on the forks anywhere along their length.

Big Pocket Models Available – To Suit Up to 180x80mm Forks (Ref: FMHA-1.0-BP for example)

Model Ref.	Weight	C of G	Load Ctr
FMHA-1.0	14kgs	75mm	75mm
FMHA-2.0	20kgs	75mm	75mm
FMHA-3.0	30kgs	75mm	75mm
FMHA-4.0	40kgs	75mm	75mm
FMHA-5.0	48kgs	75mm	75mm



Model Ref.	Capacity	A	B	C	D	E
FMHA-1.0	1000kgs	225mm	676mm	50mm	140mm	150mm
FMHA-2.0	2000kgs	275mm	676mm	50mm	140mm	150mm
FMHA-3.0	3000kgs	296mm	676mm	50mm	140mm	150mm
FMHA-4.0	4000kgs	348mm	720mm	50mm	140mm	150mm
FMHA-5.0	5000kgs	348mm	720mm	50mm	140mm	150mm