

RX 10/16

THE LIGHT STACKER



VERSATILITY

It's ideal to mode, even horizontally, palletized goods and at the same time it can be used as an adjustable workable, reducing stress for the operator who must place goods on a shelf. Forks thickness 60 mm for an easier entrance inside pallet, while working in elevation.



Ergonomics

Ergonomic tiller placed laterally to increase visibility, ensuring an optimal arrangement of components inside the motor compartment. RX 10/16 solves perfectly the problem of handling goods in narrow spaces and corridors.



EASY MAINTENANCE

Strong ABS carter/cover with storage compartments on top. easily removable to speed up maintenance operations. The bottom access opening allows an immediate disassembly of motor wheel, portal and tiller without lifting the machine.



BATTERY PACK

Starting batteries (light-traction PLUS or GEL type as option), lightweight and inexpensive, allow up to 3 hours autonomy (4 hours with PLUS battery).
RX 10/16



Description

1.1 Manufacturer			PR INDUSTRIAL
1.3 Drive			Electric
1.4 Operator type			Pedestrian
1.5 Load capacity	Q	Kg	1000
1.6 Load centre distance	c	mm	600
1.8 Load axle to end forks	x	mm	786
1.9 Wheel base	y	mm	1165

Weights

2.1 Service weight (battery included)		Kg	363
2.2 Axle load, laden rear		Kg	937
2.2 Axle load, laden front		Kg	426
2.3 Axle load, unladen front		Kg	261
2.3 Axle load, unladen rear		Kg	102

Tyres/Chassis

3.1 Tyres: front wheels			RUBBER
3.1 Tyres: stabilizers wheels - Front			POLY C.
3.1 Tyres: rear wheels			POLY C.
3.2 Tyre size: Steering wheels - Width		mm	50
3.2 Tyre size: Steering wheels - Diameter		mm	186
3.3 Tyre size: Load rollers - Diameter		mm	82
3.3 Tyre size: Load rollers - Width		mm	70
3.4 Tyre size: stabilizers wheels front - Diameter		mm	125
3.4 Tyre size: stabilizers wheels front - Width		mm	45
3.5 Tyre size: rear wheels - Q.ty (X=driven)		nr	2
3.6 Tread, front	b10	mm	505
3.7 Tread, rear	b11	mm	410

Dimensions

4.2 Height, mast lowered	h1	mm	1970
4.3 Normal free lifting	h2	mm	1510
4.4 Lift height	h3	mm	1510
4.5 Height, mast extended	h4	mm	1970
4.9 Height of tiller in drive position min	h14	mm	930
4.9 Height of tiller in drive position max	h14	mm	1365
4.15 Height, lowered	h13	mm	90
4.19 Overall length	l1	mm	1675
4.20 Length to face of forks	l2	mm	522
4.21 Overall width	b1	mm	794
4.22 Fork dimensions - Thickness	s	mm	60
4.22 Fork dimensions - Width	e	mm	150
4.22 Fork dimensions - Length	l	mm	1153
4.24 Fork carriage width	b3	mm	650
4.25 Distance between fork arms	b5	mm	560
4.32 Ground clearance, centre of wheelbase	m2	mm	20
4.34 Aisle width	Ast	mm	2120
4.35 Turning radius	Wa	mm	1344

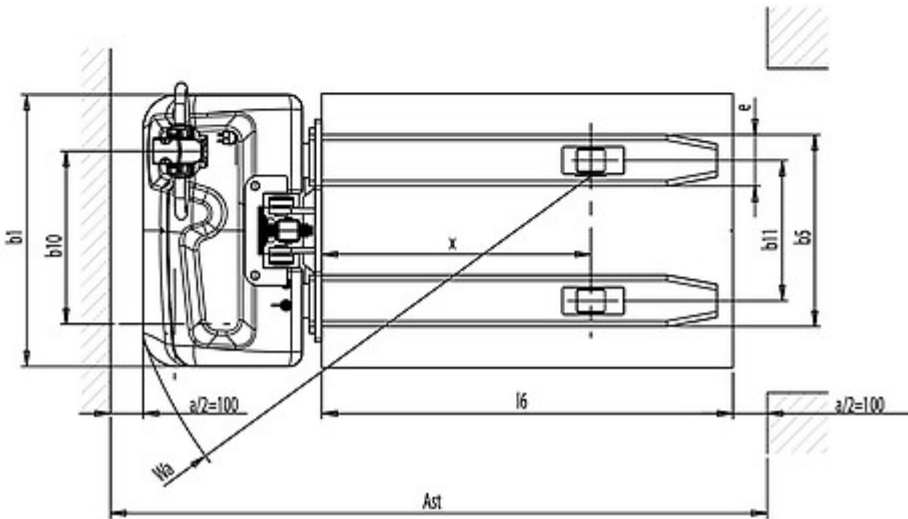
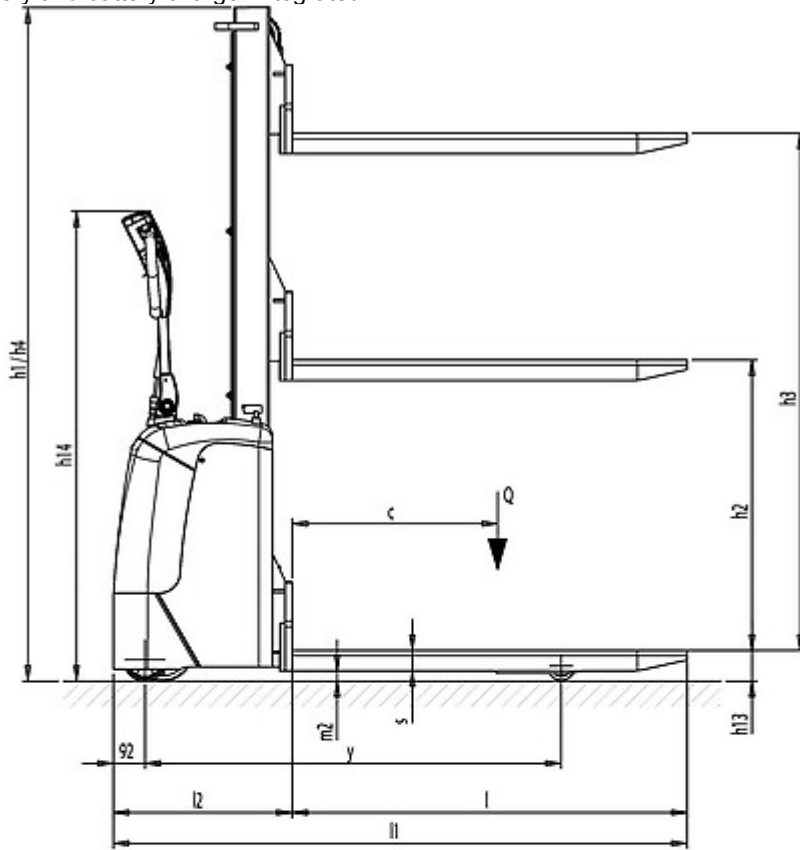
Performance data

5.1 Travel speed laden	Km/h	3.7
5.1 Travel speed unladen	Km/h	4.3
5.2 Lifting speed laden	m/s (strokes)	0.11
5.2 Lifting speed unladen	m/s (strokes)	0.18
5.3 Lowering speed laden	m/s	0.18
5.3 Lowering speed unladen	m/s	0.18
5.8 Max gradeability laden	%	9
5.8 Max gradeability unladen	%	25
5.10 Service brake		REVERSE CURRENT

Electric motors

6.1 Drive motor power	kW	0.35
6.2 Lift motor power	kW	2.2
typ baterii		Automotive (C20)
6.4 Battery voltage	V	24
6.4 Battery capacity, Min	Ah	70
6.4 Battery capacity, Max	Ah	70
6.5 Battery weight, Min	Kg	32
6.5 Battery weight, Max	Kg	32
6.6 Energy consumption according to VDI cycle	kWh/h	0.45
8.4 Sound level at driver's ear	dB(A)	63

Battery and battery charger integrated



The information is aligned with the Data file at the time of download. Printed on 14/03/2017 (ID 693)

©2016 | PR INDUSTRIAL s.r.l. | All rights reserved | Image shown may not reflect actual package. Specifications subject to change without notice

