

Stainless stacker - hygienic handling of goods

Optimum hygiene - with the stainless-semi stacker the risk of bacterial contamination is minimised.

The stainless-semi products are developed for environments where severe hygiene is needed on the surfaces that are in direct contact with the goods being handled, e.g. meat, fish or medicine.

The design focuses on the safety and ergonomic working conditions of the user. As an example, the ergonomically correct handle ensures the user a relaxed hold.

High quality is ensured through an extended test programme and in cooperation with experts in Health and Safety.



Technical Specifications

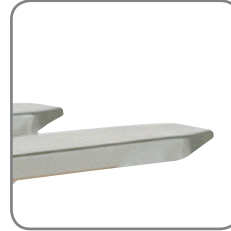
Optimum safety for the user through

- central location of all control buttons on the handle
- transparent and impact-resistant safety screen on the mast
- location of parking brake

Strong construction ensures a long operating life and low maintenance costs.



The ergonomically correct handle ensures the user a relaxed hold.



Closed forks mean easy cleaning and few hiding places for bacteria.



EHS 1000 RF-SEMI has assisted wheel steering. Easy and hygienic operations.

Available with manual or electric lifting.

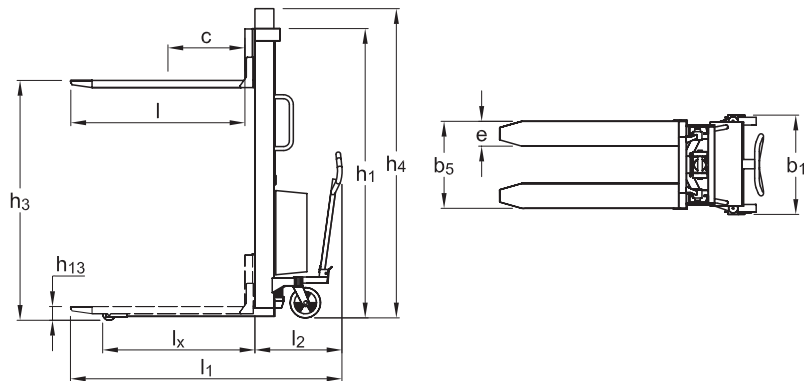
Product (measured in mm)	HS 1000 RF-SEMI					EHS 1000 RF-SEMI					
	1000	1000	1000	1000	1000	1000	1000	1000	1000	1000	1000
Capacity in kg	1000	1000	1000	1000	1000	1000	1000	1000	1000	1000	1000
Lifting height h_3	1200	1400	1600	2050	2450	1200	1400	1600	2050	2450	2850
Fork length l	1150					1150					
Overall height h_1	1530	1730	1930	1530	1730	1530	1730	1930	1530	1730	1930
Overall width b_1	654				913	670					930
Fork span b_5	560					560					
Length without forks l_2	390					500					
Overall length by 1150 forks l_1	1650			1660		1715			1725		
Overall height h_4	Without telescopic mast			2490	2890	Without telescopic mast			2490	2890	3290
Lowered height h_{13}	90					90					
Load centre c	max. 600					max. 600					
Fork width e	163					163					
Run-in length l_x	1005					1005					
Gangway (pallet: 1200 x 800) A_{st}	2020*					2200**					
Free lift	190					190					
Turning angle of the wheels	180°					180°					
Pump motor						1,1 kW 12 V					
Lifting speed	normal/quick 17/54 mm per pump					with/without load: 0,07 m/s					
Lowering speed irrespective of load	0,21 m/s					0,08 m/s					
Weight in kg (without battery)	193	197	201	255	264	218	222	226	283	292	302

* Tests show that 1450 mm are enough.

** Tests show that 1530 mm are enough.



RF-SEMI - for the food industry and other environments with strict hygiene demands.



Please ask for specification details or visit our website www.logitrans.com
We also offer tailor-made solutions.