

Tidy Bins

Protection from fire and pollution - Environmentally friendly

Tidy Bins are ideal for light waste in your warehouse or warehouse or factory and feature two top opening doors. The Bins are emptied via a drop bottom base, which incorporates self-closing latches. Fully enclosed fork guides are mounted at the top to enable a completely clear exit of the waste. The bins are fitted with heavy-duty castors to ensure easy manoeuvrability. Available in attractive yellow or green gloss finish on a primer base, these attachments will offer you speedy and efficient waste removal.

Features Include:

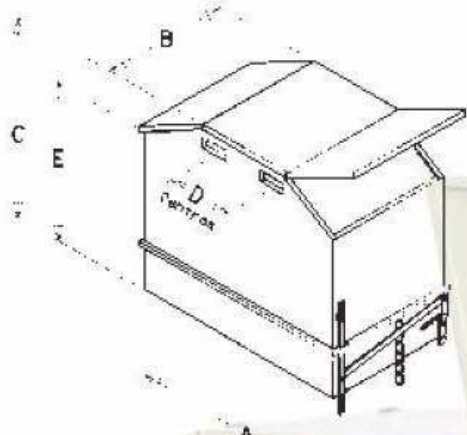
- Safe and secure in use
- Castors for easy manoeuvrability
- Pedestrian operation avoiding continual use of forklift
- No fork lift modification required

Optional Accessories:

- Colour change
- Special castors



ATB-10



ATB-10 & ATB-15

	Tidy Bin 10 (Model No. ATB 10)	Tidy Bin 15 (Model No. ATB 15)
Capacity (m ³)	1.0m ³	1.5m ³
Capacity (kg)	350kg	350kg
Unladen Weight	150kg	190kg
Overall Length (A)	1650mm	1650mm
Overall Width (B)	1020mm	1020mm
Height off the floor (C)	1120mm	1420mm
Height from the floor to lip (E)	860mm	1160mm
Base size	1500 x 906mm	1500 x 906mm
Loading apertures	390 x 850mm	390 x 850mm
Fork Tunnels		
Centres (D)	444mm	444mm
Pocket Size	180 x 75mm	180 x 75mm

Castle Forklifts Ltd
Unit 15
Paynes Lane Industrial Estate
Rugby
Warwickshire
CV21 2UH
United Kingdom



Tel 01788 560531

Fax 01788 540943

www.liftruck.co.uk

info@liftruck.co.uk