

CROWN

# PTH 50 SERIES



# Functional, and robust, and dependable.



**1 Full-function control handle with neutral**

A few strokes of the large steering handle

**2 Hydraulic unit proven reliability**

One of the most critical parts of a hand

**3 Strong fork design**

The C-channel fork design uses formed steel members with steel reinforcing at

**4 Durable frame and articulating wheels**

A robust, cross-braced frame provides unrivalled strength and durability. Steel forgings are used on the lift linkage. For easier handling and control, the PTH has large 180 mm steer wheels. Steer and load wheels use high quality compounds that lower rolling resistance, provide long life, and are smooth and quiet in operation.

To ensure continuous contact with the floor, the wheels articulate to ensure you never have the weight of the load on just one wheel. Hubcaps protect the bearing and steer axle from side impact damage and contamination.

The PTH 50 Series carries the weight of our reputation. Crown is one of the largest manufacturers of electrically powered lift trucks in the world. Our customers rely on us for robust, functional product design and long-term dependability. The PTH 50 Series hand pallet trucks also feature these traits, and with over 1.5 Million trucks sold worldwide, our reputation is an important part of each unit that we sell. We are determined to build the finest quality trucks offering real long-term value to our customers. We realise that if you purchase our hand pallet trucks, this may be your first experience using a Crown product. We want this to be a positive one. For this reason, we have designed into each truck many standard features that will help your operator be more productive.



**5 Easy**

The fork  
brack  
afford  
the lo

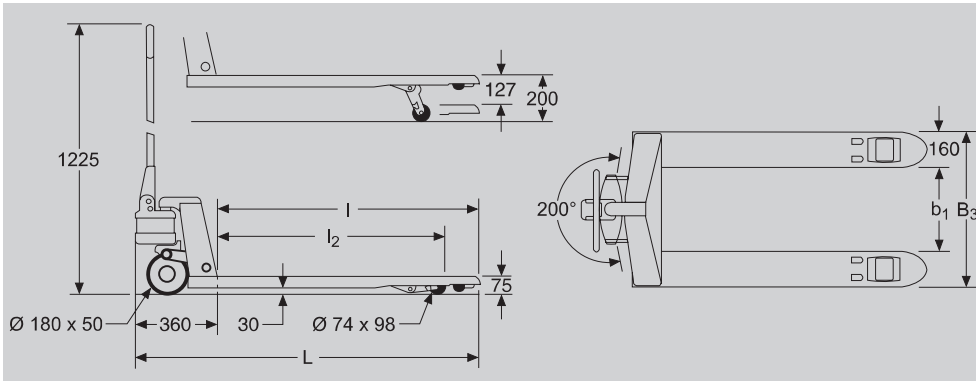
The e  
engin  
sistar  
oper  
pallet:  
A low  
easy ;  
pallet:

# Options

# PTH 50 Series

## Hand Pallet Truck

### Standard Specifications \*



Model	PTH 50	
Capacity	2300 kg	
Headlength	L <sub>2</sub>	360 mm
Fork width	b	160 mm
Lift	h <sub>3</sub>	127 mm
Lowered fork height	S	75 mm
Lowered fork clearance	F	30 mm
Steer wheels	Poly	Ø 180 x 50 mm
Load wheels	Poly	Ø 74 x 98 mm

Model		PTH 18-32	PTH 18-39	PTH 18-45	PTH 20-32	PTH 20-39	PTH 20-45	PTH 27-32	PTH 27-39	PTH 27-45
Overall length	L	1155 mm	1350 mm	1510 mm	1155 mm	1350 mm	1510 mm	1155 mm	1350 mm	1510 mm
Fork length	l	795 mm	990 mm	1150 mm	795 mm	990 mm	1150 mm	795 mm	990 mm	1150 mm
Load wheel lowered	l <sub>2</sub>	648 mm	843 mm	1003 mm	648 mm	843 mm	1003 mm	648 mm	843 mm	1003 mm
Outside fork spread	B <sub>3</sub>	450 mm	450 mm	450 mm	520 mm	520 mm	520 mm	685 mm	685 mm	685 mm
Inside fork spread	b <sub>1</sub>	130 mm	130 mm	130 mm	200 mm	200 mm	200 mm	365 mm	365 mm	365 mm
Truck weight		55 kg	60 kg	64 kg	57 kg	62 kg	66 kg	61 kg	66 kg	70 kg

\* Non-standard specifications also available.

### Safety Regulations

Conforms to European safety standards. Dimensions and performance data given may vary due to manufacturing tolerances. Performance is based upon an average size vehicle and is affected by weight, condition of truck, how it is equipped and the conditions of the operating area. Crown products and specifications are subject to change without notice.