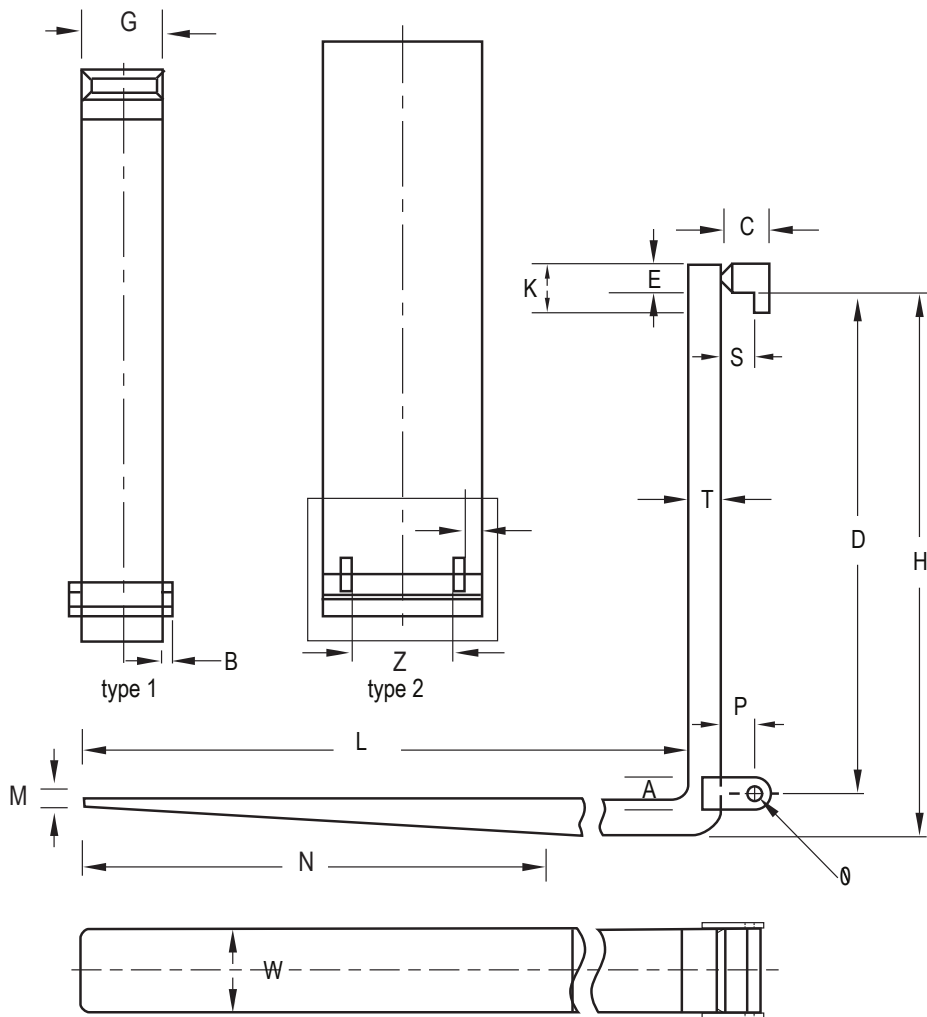


QUICK QUOTE / EASY ORDER FORM

Terminal West Quick Detach Forks

Company:		Date:
Contact Name:		Phone:
Email:		Fax:
Address:		
Truck Make:	Model:	Truck Basic Capacity:
Fork Capacity Required per pair:	kg	Load Centre:
		mm

W:
T:
L:
H:
T: C:
D:
S:
P: P
Ø:
A:
B:
K:
E:
N:
M:
G:
Z:



Notes:

1. Standard toes and tapers will be supplied, unless specific dimensions are shown at M and N above. N.B. Non-Standard requirements MAY be more expensive.